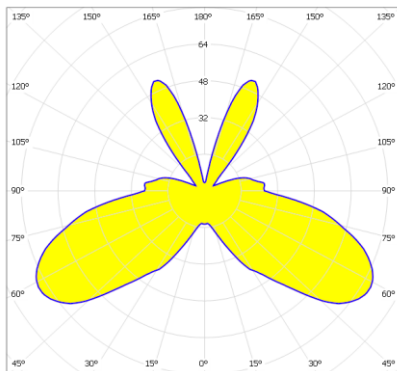
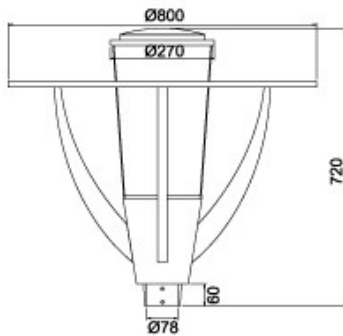


## Post Tops

### PAK G67 Series



The PAK G67 is a modern lantern shaped post top that offers all-round symmetrical light distribution with a top canopy. It is suitable for use in most private and public outdoor areas.

#### Features

- Pole made of 3mm thick galvanised steel, antirust
- Corrosion resistant die-cast aluminium housing
- Polyester powder coated finish
- Polycarbonate or glass cover fixture housing
- Stainless steel screws, anti-corrosion
- Built-in PAK electric fittings with power factors > 0.9
- Lamp options: 70W/150W MH/HPS
- Protection grade: IP55
- Height: 3 m

#### Applications

- Gardens, parks, town centres, amenity, landscape, etc.



Model	Power	Current (A)	PF	Height(m)
PAK-G67-070K-LJ	70W MH	0.38	>0.9	3
PAK-G67-070K-LN	70W HPS	0.38	>0.9	3
PAK-G67-150K-LJ	150W MH	0.85	>0.9	3
PAK-G67-150K-LN	150W HPS	0.85	>0.9	3