

Projectors

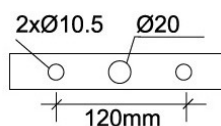
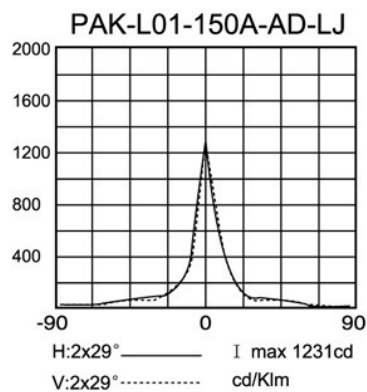
PAK L01 Series



The PAK L01 projector is a stylish performance projector light suited for most architectural applications. With PAK's patented streamline design, they are aesthetically appealing, robust and made to withstand harsh Australian conditions.

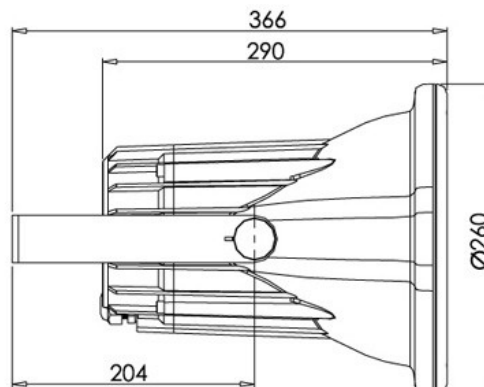
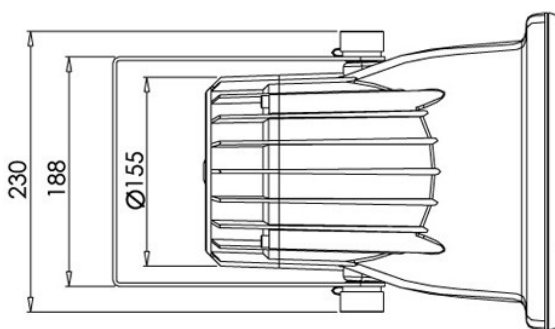
Features

- High pressure die-cast aluminium housing
- Special heat diffusion design separates electric fittings and lamp for longer lamp life
- Patented streamline design with integrated electronic gear
- Grey polyester powder coated finish
- Professionally designed light distribution system with choice of narrow beam angle (10°) or wide beam angle (30°)
- High quality silicon rubber gasket resistant to high temperatures
- Toughened glass with screw in cover for easy installation and maintenance
- High purity anodised aluminium reflector system with electric polishing treatment for higher reflectivity
- 70W, 150W, 250W Metal Halide or High Pressure Sodium lamp options
- U-shape mounting bracket
- Adjustable angle
- IP65



Applications

- Building facades , Parks, Gardens, Landscape, etc



Projectors

Model	Lamp	Beam	Current(A)	Weight(Kg)	Dimension(mm)
PAK-L01-070A-AA-LJ	70W MH / RX7s	Narrow	0.38	4.8	Ø260 x 290
PAK-L01-070A-AA-LN	70W HPS / RX7s	Narrow	0.38	4.8	Ø260 x 290
PAK-L01-070A-AB-LJ	70W MH /RX7s	Wide	0.38	4.8	Ø260 x 290
PAK-L01-070A-AB-LN	70W HPS / RX7s	Wide	0.38	4.8	Ø260 x 290
PAK-L01-150A-AA-LJ	150W MH / RX7s	Narrow	0.85	5.9	Ø260 x 290
PAK-L01-150A-AA-LN	150W HPS / RX7s	Narrow	0.85	5.9	Ø260 x 290
PAK-L01-150A-AB-LJ	150W MH / RX7s	Wide	0.85	5.9	Ø260 x 290
PAK-L01-150A-AB-LN	150W HPS / RX7s	Wide	0.85	5.9	Ø260 x 290
PAK-L01-250A-AA-LJ	250W MH / RX7s	Narrow	1.28	6.2	Ø260 x 290
PAK-L01-250A-AB-LJ	250W MH RX7s	Wide	1.28	6.2	Ø260 x 290
PAK-L01-070G-AA-LJ	70W MH / G12	Narrow	0.38	4.8	Ø260 x 290
PAK-L01-070G-AB-LJ	70W MH /G12	Wide	0.38	4.8	Ø260 x 290
PAK-L01-150G-AA-LJ	150W MH / G12	Narrow	0.85	5.9	Ø260 x 290
PAK-L01-150G-AB-LJ	150W MH / G12	Wide	0.85	5.9	Ø260 x 290