

Projectors

PAK L07 Mini Series MH / Halogen

The L07 Mini is a stylish and compact projector light ideal for architectural spotlighting. Features a rotational base or ground insertion base to suit most installations.

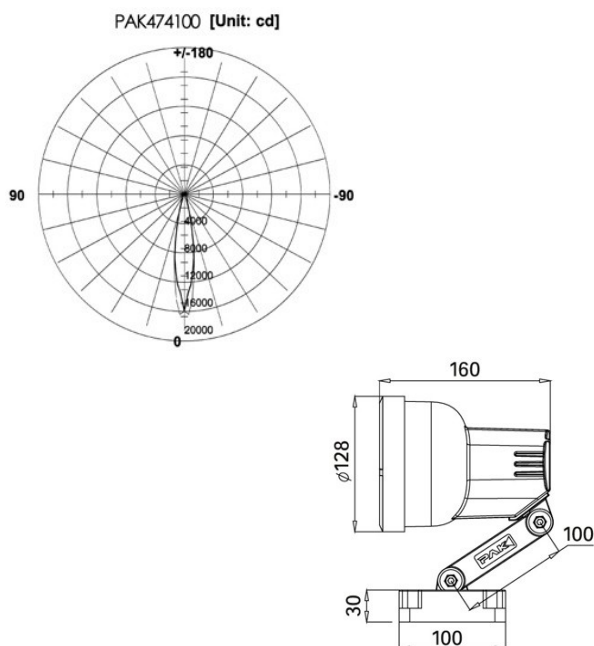


Features

- Patented compact design
- Optical lens for precise and even light distribution
- High quality aluminium alloy housing
- Grey polyester powder coated finish
- Professionally designed heat diffusing fin
- High purity anodised aluminium reflector
- Toughened high temperature glass cover with waterproof silicon gasket
- 50W / 70W / 75W / 150W Metal Halide (MH) and Halogen lamp options
- Built-in electronic control gear
- IP65
- Rotational base and angle adjustable
- Installation: installation base, ground insertion

Applications

Wall washing, parks, amenity, residential outdoor, landscape, facade, exhibition halls etc



Projectors

| Model | Lamp Type | Power | Colour Temp. | Weight(Kg) | Dimension(mm) |
|-----------------|-------------------|-------|--------------|------------|---------------|
| PAK-L07-070G-FZ | Metal Halide (MH) | 70W | 4000K | 1.2 | 160x130x290 |
| PAK-L07-150G-FZ | Metal Halide (MH) | 150W | 4000K | 1.2 | 160x130x290 |
| PAK-L07-075K-Z | PAR30/AR111 | 75W | 2900K | 1.2 | 160x130x290 |
| PAK-L07-050S-Z | PAR30/AR111 | 50W | 2900K | 1.2 | 160x130x290 |

^ For base installation models, replace "Z" with "C". Eg. PAK-L07-070G-FC

~ Also comes in light hood models. Model no: PAK-L07-075K-FZ (75W)/ PAK-L07-050S-FZ(50W)