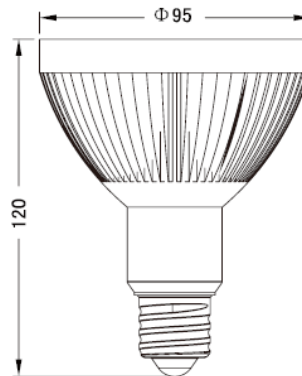


LED PAR30 LAMP

Features

- High quality aluminium housing, equipped with professionally designed thermal conductivity radiation fins
- Made from the finest material and scientifically structured to dissipate heat effectively, considerably prolonging lamp life
- Precision optical lens provides accurate and even light distribution
- Precision tested power circuit for perfectly matched LED chips and radiation system
- Philips LUXEON LED chips for longer life-span, lower lumen reduction and better light efficiency
- Easy installation and lower maintenance, compatible with existing E27 halogen lamp holders
- Energy saving, environmentally friendly and less heat radiation than traditional lamps
- Voltage: 220-240V
- Weight: 0.25 Kg



Specifications

Order No.	Power	Current	Beam Angle	Colour Temperature	Lumens	CRI
PAK-JR-824PAR30-830-II	11W	0.072A	24°	3000K	715Lm	83
PAK-JR-840PAR30-830-II	11W	0.072A	40°	3000K	710Lm	83
PAK-JR-824PAR30-840-II	11W	0.072A	24°	4000K	764Lm	83
PAK-JR-840PAR30-840-II	11W	0.072A	40°	4000K	760Lm	83