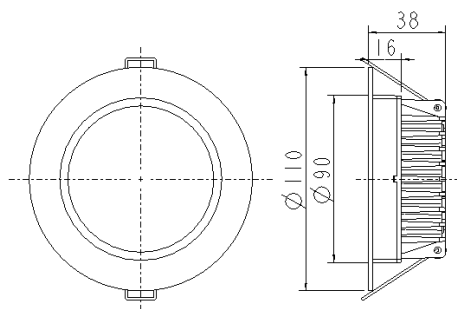
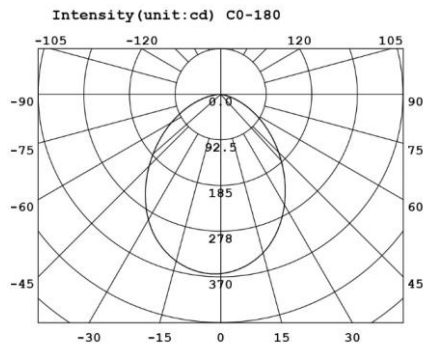


## Diffused LED Downlight



### Features:

- Designed as a 50W Halogen replacement
- Acrylic diffuser for even light distribution and prevents unwanted glare
- High grade LED chipset with uniform colour consistency and high CRI
- Professionally designed aluminium heat sink for superior thermal control
- Up to 68 Lm/W LED efficiency
- Energy savings up to 80% when compared with traditional 50W MR16 halogen fixtures
- Does not emit harmful infrared or UV rays
- 90mm Cutout with 110mm outer diameter suits most retrofit applications
- Warm White (3000K) or Cool Daylight (5000K)
- Complete with LED dedicated constant current dimmable driver and flex / plug
- CRI > 83
- IP20



### Applications

Residential, commercial, retail, retrofit and where energy efficient lighting is required

Part No.	Power	CCT	Beam Angle	Voltage	Luminous Flux	Cut-out	Height
PAK-LED-X108-13W-30-W	13W	3000K	90°	220~240V	816lm	Ø90mm	38mm
PAK-LED-X108-13W-60-W	13W	5000K	90°	220~240V	882lm	Ø90mm	38mm