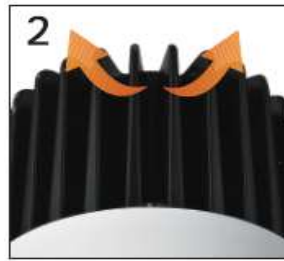


LED DOWNLIGHT



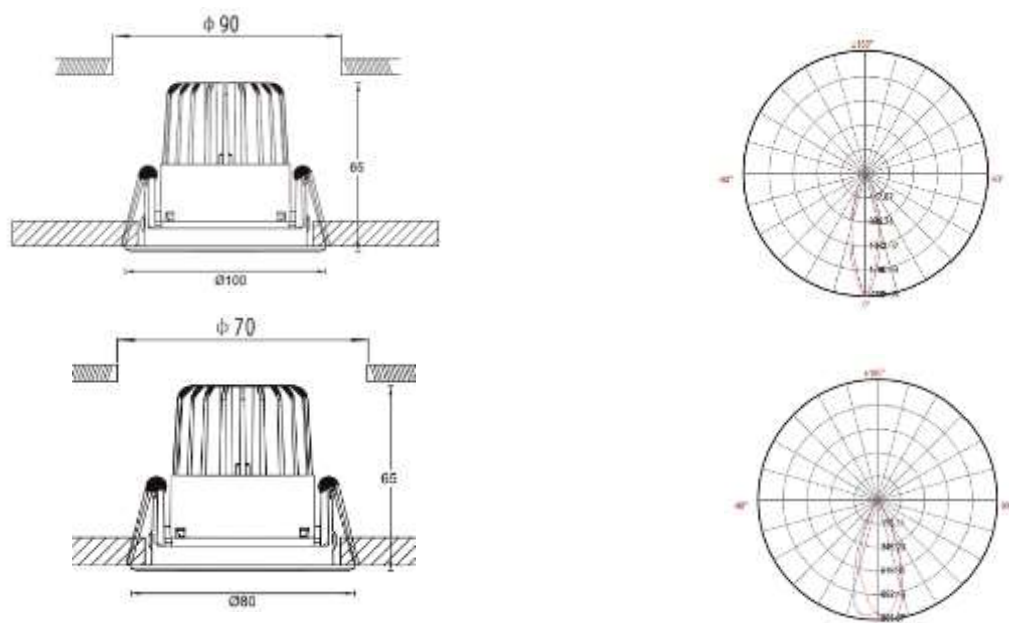
- High grade LED chip with professionally designed optical lens. Anti-glare ring shields the light source from direct view and improves visual comfort.
- Advanced heat sink design for cooler operating temperatures.
- Compact construction with spring-mounted clips for easy installation and maintenance



Features

- Compact aluminium alloy construction
- High grade LED chips with excellent colour consistency and high CRI.
- Up to 75Lm / W efficiency
- Energy savings up to 80% when compared with traditional 50W MR16 halogen fixtures.
- Excellent thermal design prolongs LED lifespan
- Environmentally friendly, free from mercury content
- Does not emit harmful infrared or UV rays
- External control gear included
- Average lifespan over 30,000 hours
- Comes in two light projection angles 24° or 38°
- Fixed or Angle adjustable versions available

Specifications



Model No	Part No.	Power	Colour Temp.	Lumens	Beam angle	Cutout Size
PAK565200	PAK-LED-S102-10WA4-30-W	10W	3000K	750Lm	24°	90mm
PAK565200	PAK-LED-S102-10WB4-30-W	10W	3000K	750Lm	38°	90mm
PAK565190	PAK-LED-S102-6WA4-30-W	6W	3000K	420Lm	24°	70mm
PAK565190	PAK-LED-S102-6WB4-30-W	6W	3000K	420Lm	38°	70mm

^Please specify fixed or angle adjustable version when ordering