

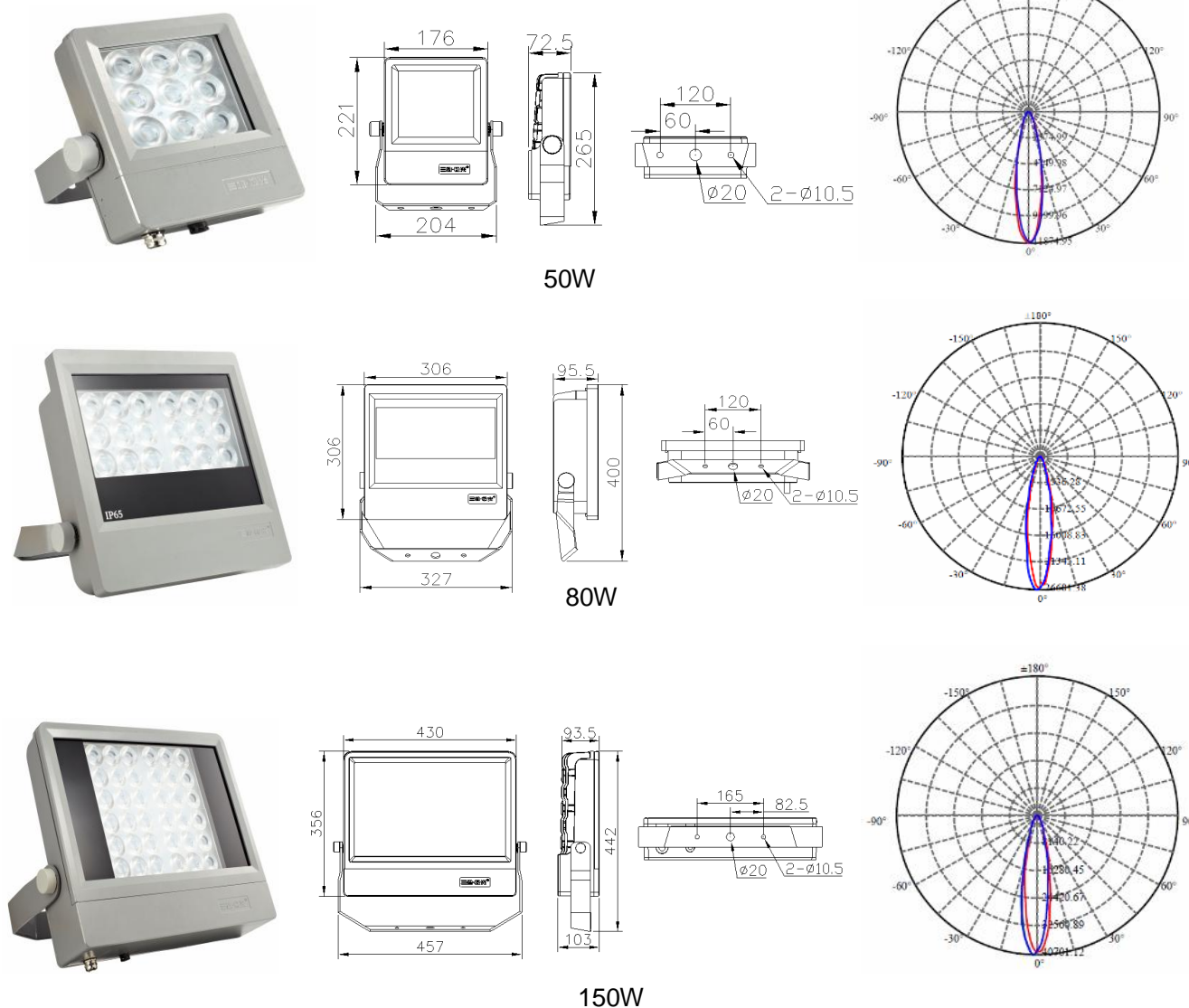
Features

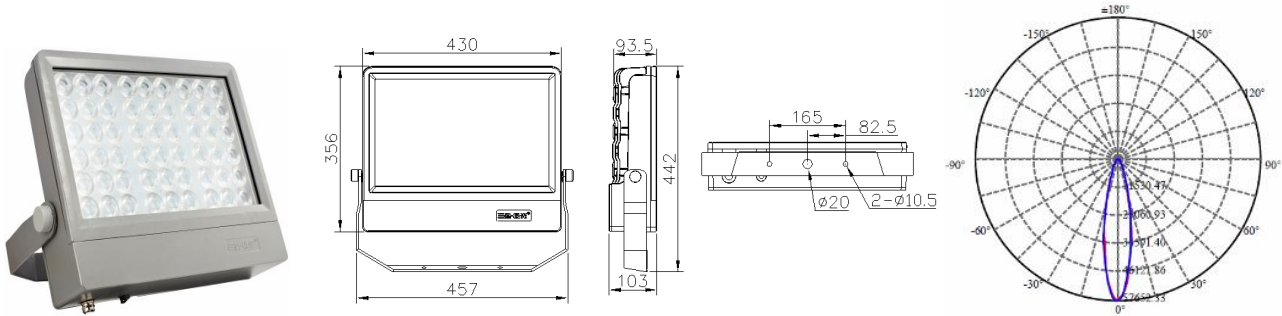
- Modern compact design, suitable for various outdoor applications
- High quality die-cast aluminium housing
- Top grade COB LED chips with high luminous efficiency and high CRI
- High purity aluminium reflector with anodized surface treatment, achieves precise and even lighting distribution
- Unique heatsink design dissipates heat effectively, ensuring high lumens maintenance and longer lifespan
- Built-in constant current LED driver
- Optional Power: 50W, 80W, 150W, 200W
- IP65

Applications

Widely used in facades, bridges, sports venues, landscape, transportation hubs, etc.

Fixture Diagram & Lighting Distribution





200W

Specifications

Model No.	Part No.	Power	CCT	Beam Angle	Voltage	Luminous Flux	Weight (KG)
PAK473300	PAK-LED-L07-050-830	50W	3000K	24°	220V	4000lm	3.2
PAK473301	PAK-LED-L07-050-860	50W	6000K	24°	220V	4000lm	3.2
PAK473302	PAK-LED-L07-080-830	80W	3000K	24°	220V	6500lm	7.6
PAK473303	PAK-LED-L07-080-860	80W	6000K	24°	220V	6500lm	7.6
PAK473304	PAK-LED-L07-150-830	150W	3000K	24°	220V	12000lm	15.4
PAK473305	PAK-LED-L07-150-860	150W	6000K	24°	220V	12000lm	15.4
PAK473306	PAK-LED-L07-200-830	200W	3000K	24°	220V	16500lm	15.4
PAK473307	PAK-LED-L07-200-860	200W	6000K	24°	220V	16500lm	15.4